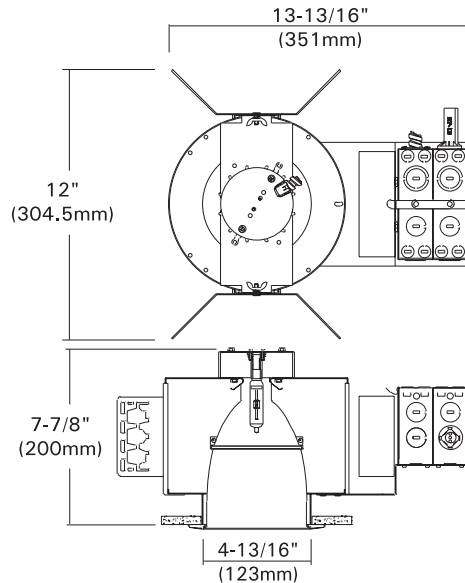
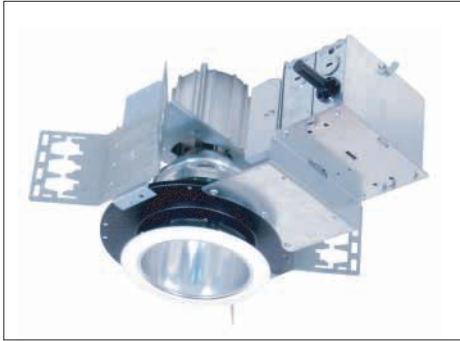


DL-2440TH

4" Architectural Frame-in kit For T4.5 CMH Lamp.

Catalog #		Type
Project		Date
Prepared by		

METAL HALIDE



DESCRIPTION

The DL-2440TH is a 4.5" aperture architectural frame-in-kit with upper reflectors for various beam spreads for general and task lighting. A vertical T4.5(G8.5 base) ceramic metal halide lamp, provided electronic ballast on J-box.

DESIGN FEATURES

Housing

- C-UL listed, NON-IC, thermally protected housing for vertical T4.5 ceramic metal halide lamps.
- Housing adjusts for ceilings up to 1-1/4" thick.

Junction Box

- Listed for through branch circuit wiring.(Max.8 No 12 AWG 90°C branch circuit conductors. (4 in, 4 out)
- (5)1/2" knockouts with true pry-out slots and (4) knockouts with Romex cable clamp.
- Ground wire provided on J-box.

Mounting Channel Bracket

- Commercial mounting kit provided up to 5" vertical adjustment which accommodates 1/2" EMT conduit, optional HB-24 or HBC-24 bar hanger or lathing channels for T-bar grid or concealed spline ceiling.

Upper Reflector

- Clear anodized high quality aluminum. Adjustable narrow & medium beam spread by knots on socket bracket, also available wide beam.

Cone Reflectors

- Anodized clear, gold, champagne, pewter color finished aluminum.

Trim

- White steel ring or plated chrome, satin nickel, polished brass, natural steel color ring.

Socket

- G8.5 Bi pin socket.

Socket Cup

- Heat sink aluminum cup, vertically adjustable multiple lampholder positions.

Lamp Shield

- High heat tempered glass shield with clear or frosted lens captive in reflector aperture.

Electronic Ballast

- 120 and 277 volts for 50/60Hz operation high power factor.
- Class A sound rated.These frames may install only electronic ballast and can be provided with magnetic ballast in a remote box.

Thermal Protector

- Self resetting thermal detector on J-box deactivates fixture if overheating occurs due to improper lamping or mis-applied insulation.

- Install varied detectors according to input voltages.

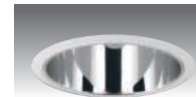
* Listing

- UL, c-UL listed for damp location.
- UL, c-UL listed for feed through.

Ceiling Cut-out : 5"

Lamp, Max, Watt. : 70W T4.5

Trims



TM-249R-HC

TM-249R
TM-249RF
Clear Reflector
w/ Regressed Lens
Metal Halide T4.5 lamps

White Metal Trim Ring
O.D : 6-1/16"
*Symbol (RF) is for Self-flange



TM-246B-WH

TM-246B
Baffle w/ Fresnel Lens
Metal Halide T4.5 lamps

White Metal Trim Ring
O.D : 6-1/16"



TM-248-HC

TM-248
Clear Reflector
w/ Frosted Drop Lens

White Metal Trim Ring
O.D : 6-1/16"

Ordering Information

Housing	Ballast	Lamp	Voltage	Beam Angle
DL-2440TH	E : Electronic	39 : 39W 70 : 70W	-Blank : 120V -27 : 277V	-S : Pin Spot (10 degree) -N : Narrow Spot beam (12 degree) -M : Medium Spread beam (25 degree) -W : Wide Flood (46 degree)

Example : DL-2440TH-E39

Example : TM249R-HC-WH-M